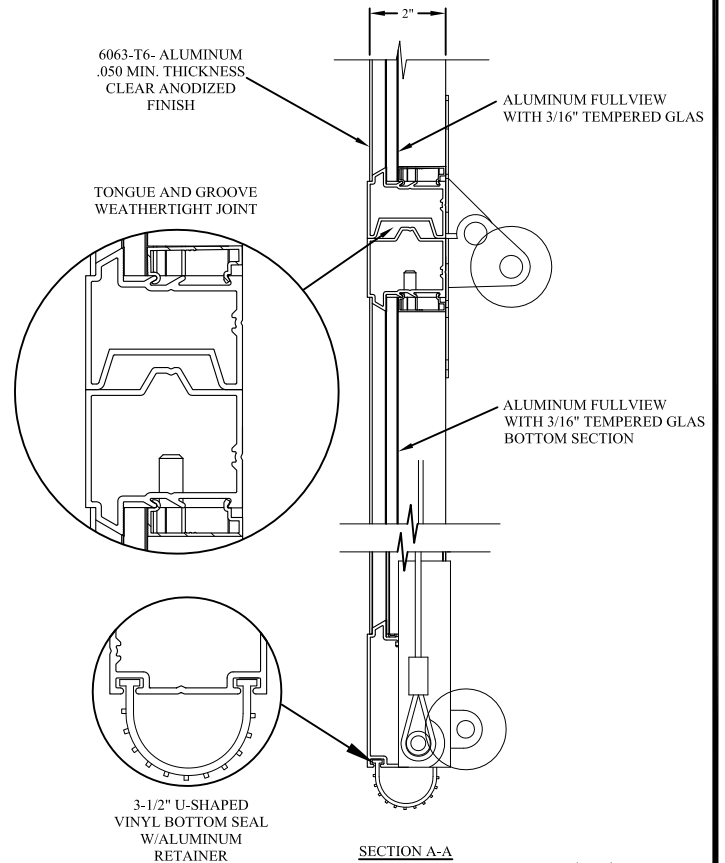
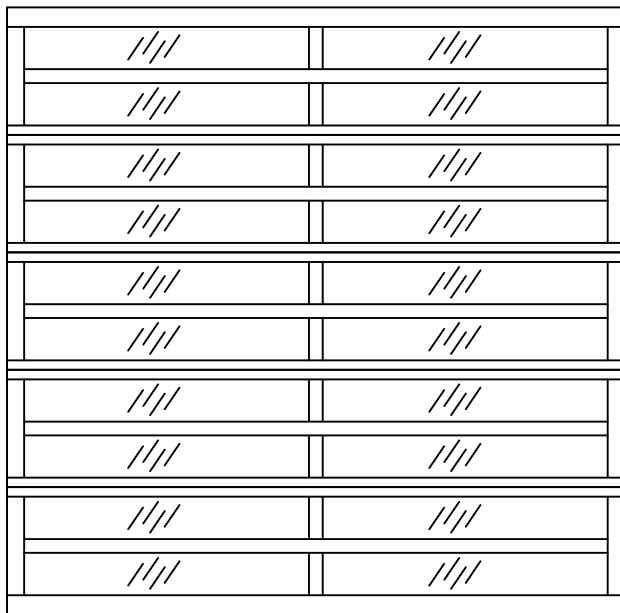
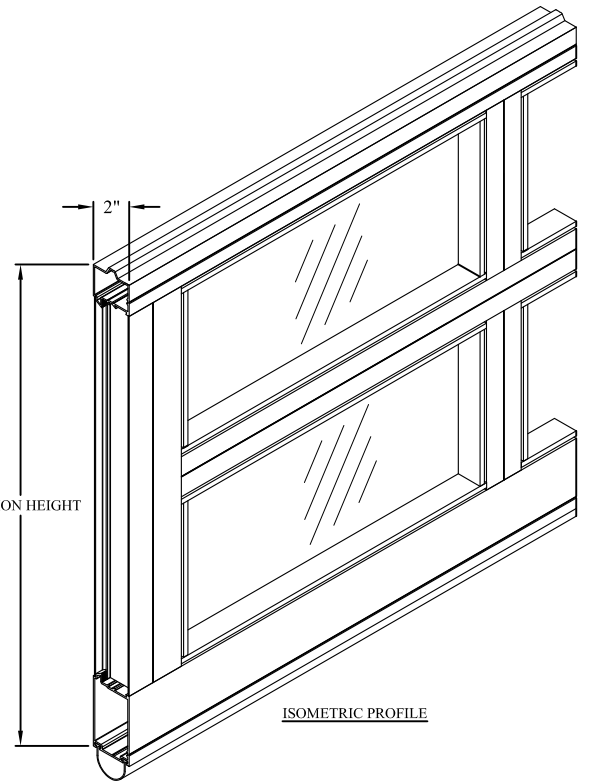
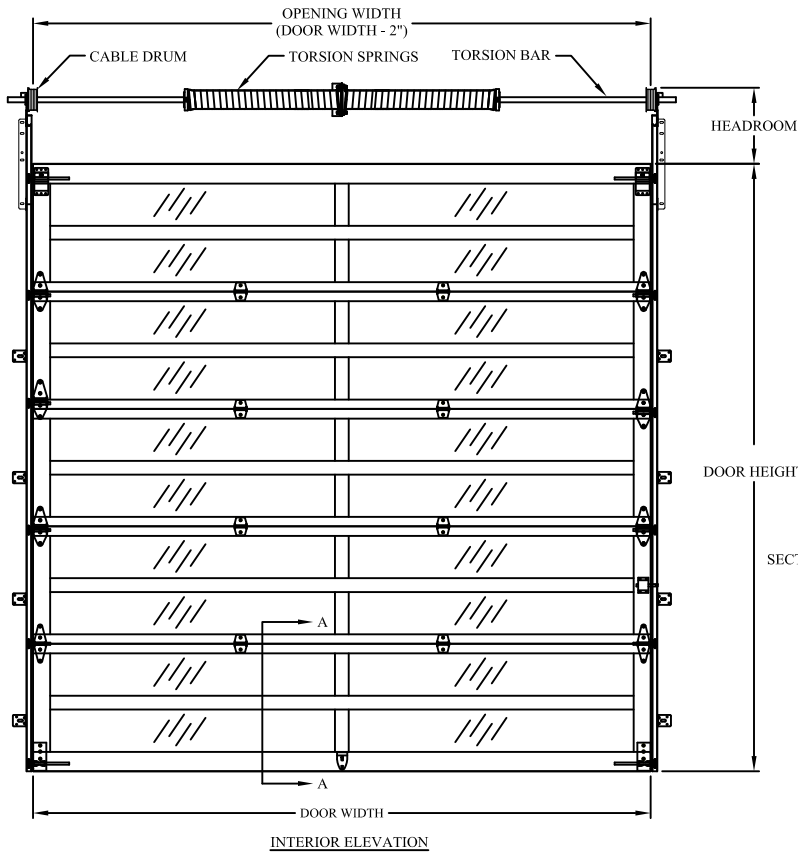


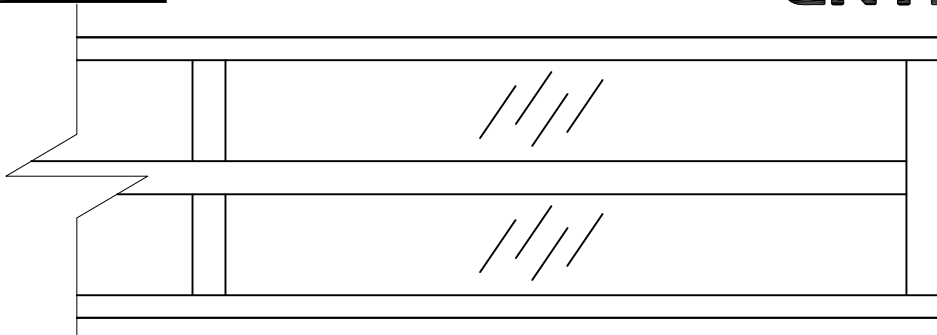
MODEL 3582

ENTRE//MATIC



MODEL 3582

ENTRE//MATIC



MULTIVIEW W/ 3/16" TEMPERED GLASS SHOWN

AVAILABLE OPTIONS
3/16" TEMPERED GLASS
DOUBLE PANE 1/2" INSULATED TEMPERED GLASS
1/4" TEMPERED GLASS
1/8" ACRYLIC PLEXIGLASS
1/4" ACRYLIC PLEXIGLASS
1/2" ACRYLIC PLEXIGLASS
1/8" POLYCARBONATE (LEXAN)
1/4" POLYCARBONATE (LEXAN)
1/2" POLYCARBONATE (LEXAN)
CUSTOM OPTIONS AVAILABLE

Insulated Glass 8" x 61.5" Min/Max		
Door Width	Min # Panels	Option
8'0 -10'2	2 Panel	Can Not Exceed 61.5" W
10'3-16'2	3 Panel	Can Not Exceed 61.5" W
17'4-20'2	4 Panel	Can Not Exceed 61.5" W

Insulated & 3/16" Temp Glass Min/Max Door Ht by Section QTY		
Section QTY	Min Ht	Max Ht
2 Section	4'0	5'4
3 Section	6'0	8'0
4 Section	7'7	10'4
5 Section	9'5	12'9
6 Section	11'2	15'4
7 Section	13'0	17'10
8 Section	14'9	20'0
9 Section	16'6	20'0
10 Section	18'4	20'0

Min/Max on 3/16" single pane tempered glazing is 8" x 93.		
3/16" Glass 8" x 93" Min/Max		
Door Width	Min # Panels	Option
8'0 -8'2	1 Panel	Can Not Exceed 93" W
8'3-16'2	2 Panel	Can Not Exceed 93" W
16'3-20'2	3 Panel	Can Not Exceed 93" W

Height	Standard Sections
4	2
5	2
6	3
7	3
8	4
9	4
10	5
11	5
12	6
13	6
14	7
15	7
16	8
17	8
18	9
19	9
20	10

Insulated Glass Up to 7' High Standard			Insulated Glass Up to 8' High Standard			Insulated Glass Up to 9' High Standard			Insulated Glass Up to 10' High Standard		
Width	# of Panels	# of Sections	Width	# of Panels	# of Sections	Width	# of Panels	# of Sections	Width	# of Panels	# of Sections
8	2	3	8	2	4	8	2	4	8	2	5
9	2	3	9	2	4	9	2	4	9	2	5
10	2	3	10	2	4	10	2	4	10	2	5
12	3	3	12	3	4	12	3	4	12	3	5
14	3	3	14	3	4	14	3	4	14	3	5
15	3	3	15	3	4	15	3	4	15	3	5
16	3	3	16	3	4	16	3	4	16	3	5
18	4	3	18	4	4	18	4	4	18	4	5
20	4	3	20	4	4	20	4	4	20	4	5

Insulated Glass Up to 12' High Standard			Insulated Glass Up to 14' High Standard			Insulated Glass Up to 16' High Standard			Insulated Glass Up to 18' High Standard			Insulated Glass Up to 20' High Standard		
Width	# of Panels	# of Sections	Width	# of Panels	# of Sections	Width	# of Panels	# of Sections	Width	# of Panels	# of Sections	Width	# of Panels	# of Sections
8	2	6	8	2	7	8	2	8	8	2	9	8	2	10
9	2	6	9	2	7	9	2	8	9	2	9	9	2	10
10	2	6	10	2	7	10	2	8	10	2	9	10	2	10
12	3	6	12	3	7	12	3	8	12	3	9	12	3	10
14	3	6	14	3	7	14	3	8	14	3	9	14	3	10
15	3	6	15	3	7	15	3	8	15	3	9	15	3	10
16	3	6	16	3	7	16	3	8	16	3	9	16	3	10
18	4	6	18	4	7	18	4	8	18	4	9	18	4	10
20	4	6	20	4	7	20	4	8	20	4	9	20	4	10

Non Insulated and Plexi Up to 7' High Standard			Non Insulated and Plexi Up to 8' High Standard			Non Insulated and Plexi Up to 9' High Standard			Non Insulated and Plexi Up to 10' High Standard		
Width	# of Panels	# of Sections	Width	# of Panels	# of Sections	Width	# of Panels	# of Sections	Width	# of Panels	# of Sections
8	1	3	8	1	4	8	1	4	8	1	5
9	2	3	9	2	4	9	2	4	9	2	5
10	2	3	10	2	4	10	2	4	10	2	5
12	2	3	12	2	4	12	2	4	12	2	5
14	2	3	14	2	4	14	2	4	14	2	5
15	2	3	15	2	4	15	2	4	15	2	5
16	2	3	16	2	4	16	2	4	16	2	5
18	3	3	18	3	4	18	3	4	18	3	5
20	3	3	20	3	4	20	3	4	20	3	5

Non Insulated and Plexi Up to 12' High Standard			Non Insulated and Plexi Up to 14' High Standard			Non Insulated and Plexi Up to 16' High Standard			Non Insulated and Plexi Up to 18' High Standard			Non Insulated and Plexi Up to 20' High Standard		
Width	# of Panels	# of Sections	Width	# of Panels	# of Sections	Width	# of Panels	# of Sections	Width	# of Panels	# of Sections	Width	# of Panels	# of Sections
8	1	6	8	1	7	8	1	8	8	1	9	8	1	10
9	2	6	9	2	7	9	2	8	9	2	9	9	2	10
10	2	6	10	2	7	10	2	8	10	2	9	10	2	10
12	2	6	12	2	7	12	2	8	12	2	9	12	2	10
14	2	6	14	2	7	14	2	8	14	2	9	14	2	10
15	2	6	15	2	7	15	2	8	15	2	9	15	2	10
16	2	6	16	2	7	16	2	8	16	2	9	16	2	10
18	3	6	18	3	7	18	3	8	18	3	9	18	3	10
20	3	6	20	3	7	20	3	8	20	3	9	20	3	10

SECTION ARRANGEMENT CHART